



---

# CEMETERY RULES AND REGULATIONS

---

THE CHURCH OF THE NATIVITY OF THE BLESSED VIRGIN MARY & STS. CHASTAN  
AND IMBERT



SEPTEMBER 24, 2019

## GENERAL INFORMATION

The Church of the Nativity of The Blessed Virgin Mary, Butterworth owns and operates (manages) two cemeteries:

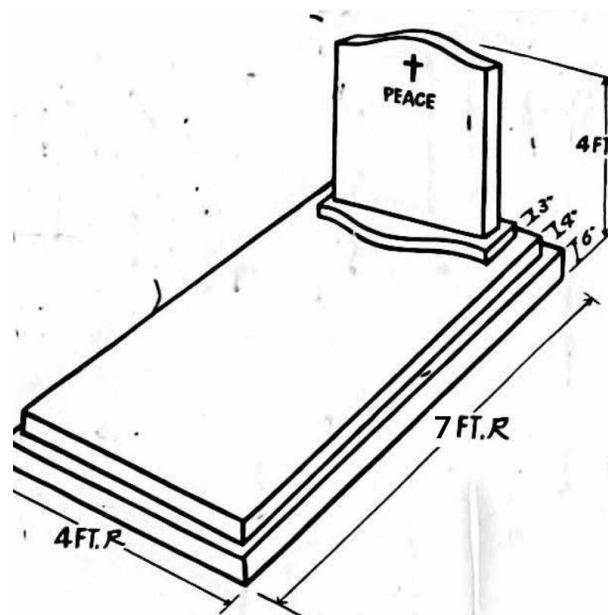
- The Butterworth Catholic Cemetery, Jalan Bagan Luar, Butterworth.
- The Kepala Batas Catholic Cemetery, Jalan Paya Tong, Kepala Batas.

The Catholic cemetery is an expression of faith, an extension of the parish community and a life affirming response to the universal mystery of death and resurrection. The life of God dwells in the human person through the waters of baptism. Catholic teaching has always presented the human body as the temple of the Holy Spirit. It is in this profession of faith that the church provides cemeteries, which reflects the dignity of and reverence for the body.

Given the above, the rules and regulations of Cemeteries henceforth adopted are for the purpose of providing good order, neatness and efficiency of operations in addition to ensure preservation of the sacred resting place of the faithful departed.

## RULES AND REGULATIONS OF THE CEMETERIES

1. ENQUIRIES AND ACQUIRING OF THE BURIAL PLOT IS TO BE MADE AT THE OFFICE OF THE CHURCH OF THE NATIVITY OF THE BLESSED VIRGIN MARY, JALAN NEW FERRY, BUTTERWORTH.
2. THE PRICE OF A BURIAL PLOT IS FIXED AT RM1000. (FAMILIES WITH FINANCIAL CONSTRAINTS MAY CONSULT PARISH PRIEST FOR FURTHER ASSISTANCE.)
3. ANY CONTRSCTIONS OR USAGE OF THE BURIAL PLOT SHALL NOT EXCEED THE LIMIT OF **4 FEET(WIDTH) AND 7 FEET (LENGTH)**.
4. ANY VIOLATION ON THE **RULES & REGULATIONS OF CONSTRUCTION WILL BE ASKED TO DEMOLISH AND REBUILD.**



5. A REFUNDABLE DEPOSIT OF RM500 IS IMPOSED ON BURIAL/REBURIAL/ ADDITIONAL BURIAL/ RENOVATION OF TOMB, FOR THE PURPOSE OF KEEPING THE GOOD ORDER, CLEANLINESS, NEATNESS AND OBSERVING THE SCAREDNESS OF CEMETERIES. THE DEPOSIT WILL BE REFUNDED SUBJECT TO THE ADHERENCE OF THE ABOVE-MENTIONED CONDITIONS. (Picture much be taken before and after construction)
6. ADDITIONAL BURIAL IS ONLY PERMITTED AFTER 20 YEARS FOR THE KEPALA BATAS CEMETERIES AND AFTER 25 YEARS FOR THE BUTTERWORTH CEMETERIES.
7. THE WALKING OF DOGS AND BRINGING OF OTHER ANIMALS ARE NOT PERMITTED IN THE CEMETERY PREMISE.
8. THE CEMETERY MANAGAMENT RESERVES THE RIGHT TO REMOVE AND DISPOSE OF ALL FLORA PIECES LEFT BEHIND IN THE CEMETERIES.
9. CEMETERY EMPLOYEES ARE PERMITTED TO WORK ONLY UNDER THE DIRECTIONS OF THE MANAGEMENT, AND THEY ARE NOT PERMITTED TO WORK UPON THE REQUEST OF THE VISITORS.
10. THE CEMETERIES CANNOT ASSUME RESPONSIBILITY FOR THE DAMAGES INCURRED AS A RESULT OF VANDALISM, WEATHER, RIOT OR ANY CAUSES BEYOND THE CONTROL OF CEMETERY MANAGEMENT.
11. IN ALL MATTERS NOT SPECIFICALLY COVERED BY THESE RULES AND REGULATIONS, THE CEMETERY MANAGEMENT RESERVES THE RIGHT TO TAKE ACTIONS WHICH IN ITS JUDGEMENT IS DEEMED REASONABLE IN THE CIRCUMSTANCES.

**NBVM/SCIC CEMETERY MAINTENANCE GROUP**

<b>NO</b>	<b>NAME</b>	<b>POSITION</b>	<b>TEL.NO.</b>
1	MR. PETER PANG	Chairperson	016 4524379
2	MR. JOHN BAPTIST CHAI	Members	019 5000388
3	MR. HENRY WILLIAM	Members	019 4149921
4	MR. THOMAS BABOO	Members	010 9160035
5	MR. ALEX	Members	016 4709732

These new rules and regulations were approved by the Bishop of Penang, Rt. Rev. Bishop Sebastian Francis on 24 September 2019

In Christ,

*REV. FR. DOMINIC SANTHIYAGU*

